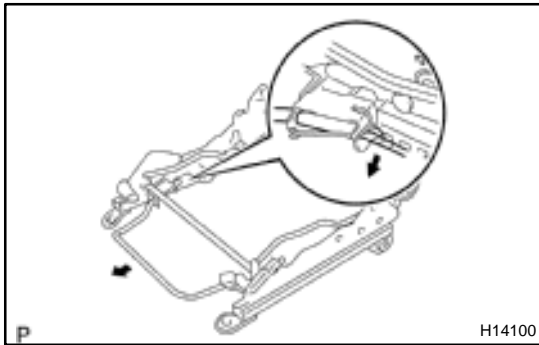


## REASSEMBLY

### 1. ASSEMBLE OUTER TRACK AND INNER TRACK

Assemble the outer track and inner track with a new E-ring.

### 2. INSTALL SEAT TRACK HANDLE

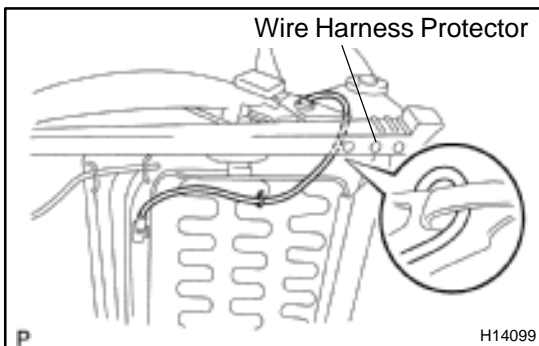


### 3. INSTALL RECLINING CONNECTING PIPE

- Adjust the reclining lock positions of the seat adjusters.
- Slide the seat adjusters to the most front position.
- Place the adjusters on a spacer to adjust the seat rail in parallel and install the connecting pipe.

#### HINT:

When installing the connecting pipe while raising up the adjusters, the lock position adjusted in step-(a) may become detached. When this happens, locking cannot be done properly.



### 4. INSTALL FRONT SEAT INNER BELT

- Pass the wire harness of the front seat inner belt through the wire harness protector of the seat cushion assembly and install the front seat inner belt.

**Torque: 42 N·m (430 kgf-cm, 30 ft-lbf)**

- Install the front seat inner belt wire harness to the seat cushion frame.

### 5. INSTALL SEATBACK COVER

- Install the seatback pad to the seatback frame.
- Install the seatback cover to the seatback pad with new hog rings.

#### HINT:

When installing the hog rings, take care not to have wrinkles on the cover as much as possible.

### 6. INSTALL SEAT CUSHION ASSEMBLY

- Install the seat cushion cover to the seat cushion pad with new hog rings.

#### HINT:

When installing the hog rings, take care not to have wrinkles on the cover as much as possible.

- Install the seat cushion frame to the seat cushion cover with pad.
- Engage the seat cushion hooks and install new hog rings.

#### HINT:

When installing the hog rings, take care not to have wrinkles on the cover as much as possible.

- Install the seat cushion assembly with the 4 bolts.

**Torque: 21 N·m (210 kgf-cm, 15 ft-lbf)**

**7. INSTALL SEAT BACK ASSEMBLY**

- (a) Install the seatback assembly with the 4 bolts.  
**Torque: 43 N·m (440 kgf·cm, 32 ft·lbf)**
- (b) Pull down the seatback cover closed.
- (c) Install new hog rings.

**HINT:**

When installing the hog rings, take care not to twist them as much as possible.

**8. INSTALL FRONT SEAT CUSHION INNER SHIELD****9. INSTALL FRONT SEAT CUSHION SHIELD****10. INSTALL RECLINING ADJUSTER RELEASE HANDLE****11. w/ Vertical adjuster:****INSTALL VERTICAL ADJUSTER KNOB**